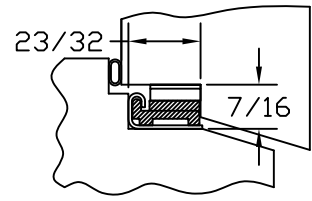
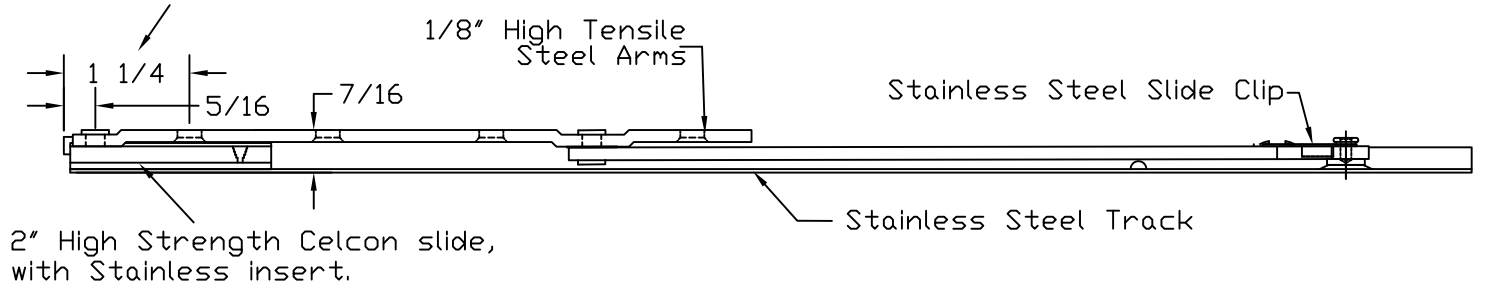
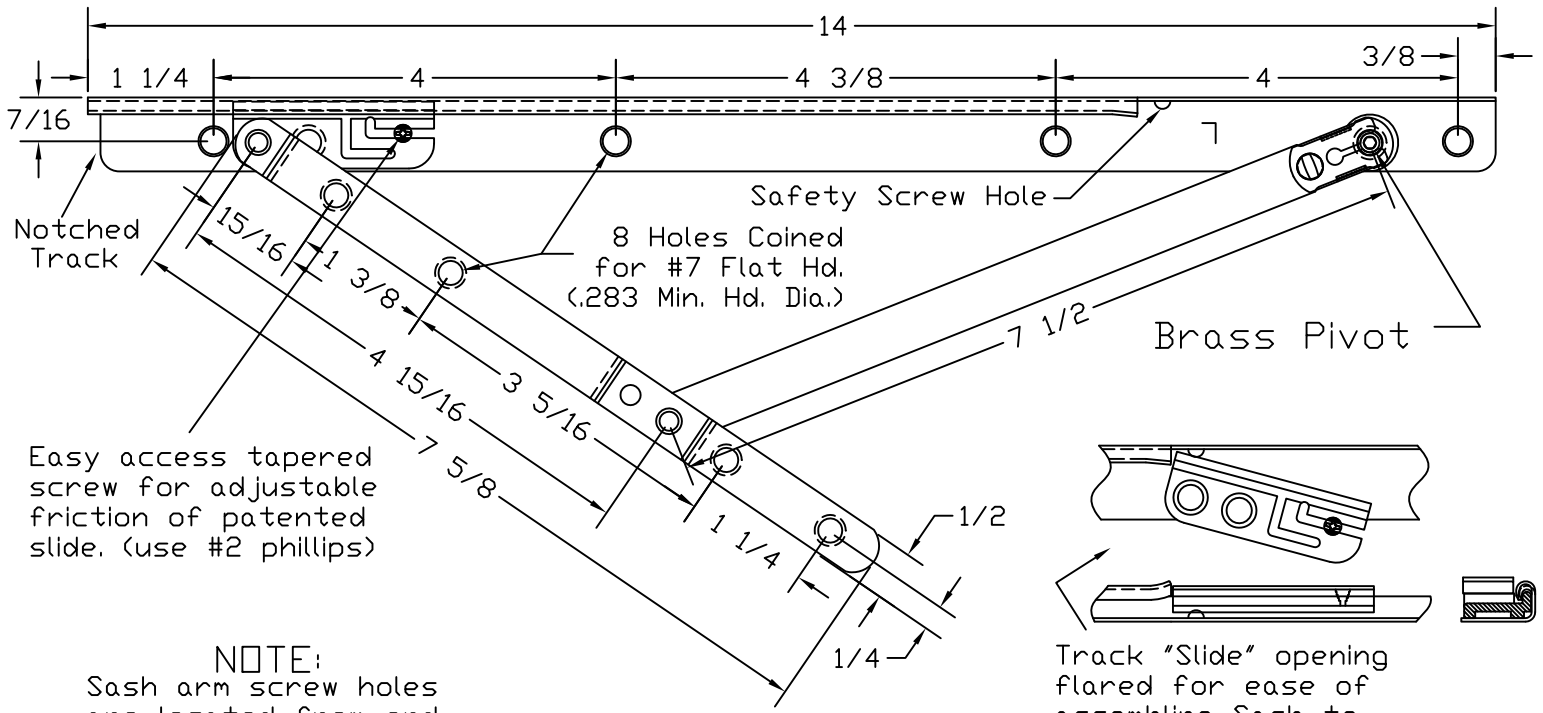
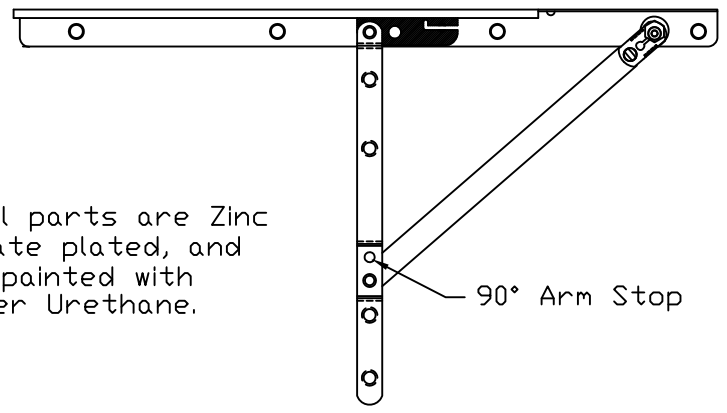


4300 SERIES 14" AWNING HINGE



All Steel parts are Zinc Dichromate plated, and Powder painted with Polyester Urethane.



Part Numbers	
Track	3314B-L/R13
Arm Assembly	4014D-L/R
Assembled Hinge	4314D-L/R

Left Hand Hinge Shown.

ALL METAL STAMPING, INC.

411 W. Spruce St. PO Box 485 Abbotsford, WI 54405

Phone (715) 223-6324
Fax (715) 223-3352