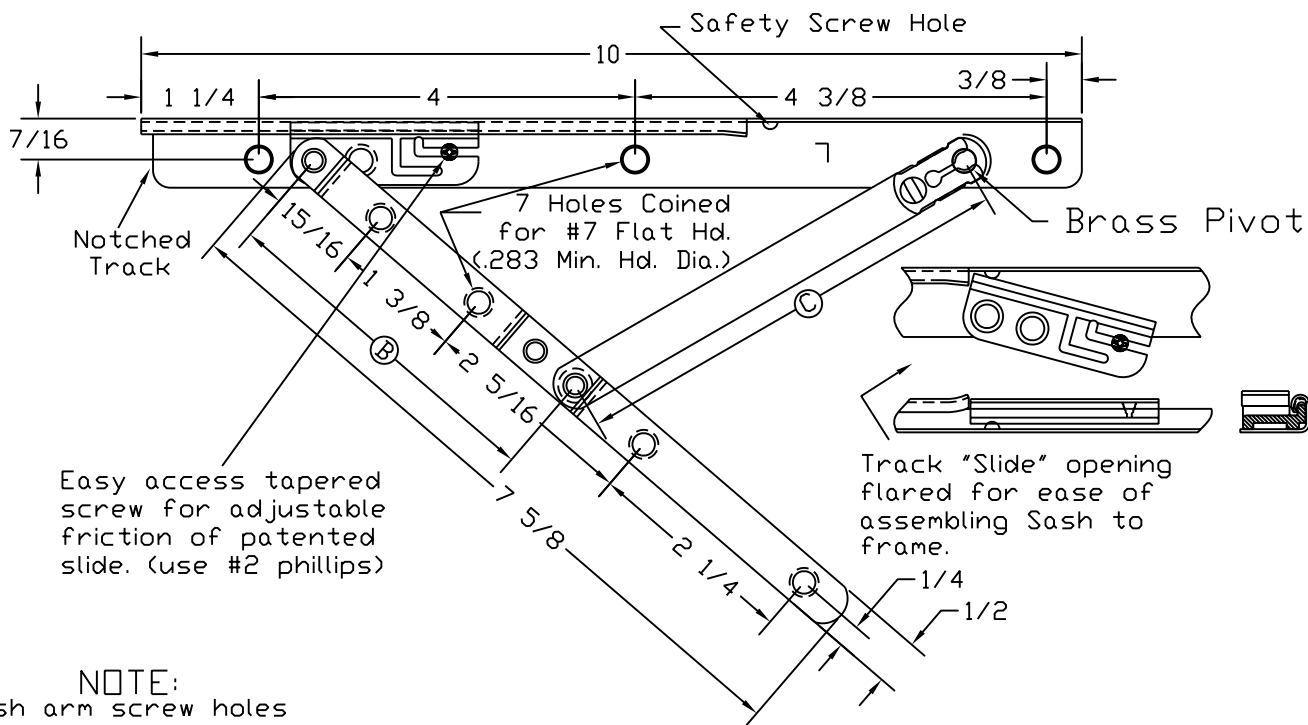
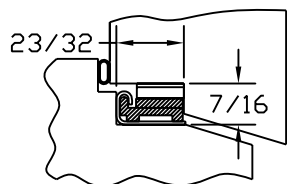
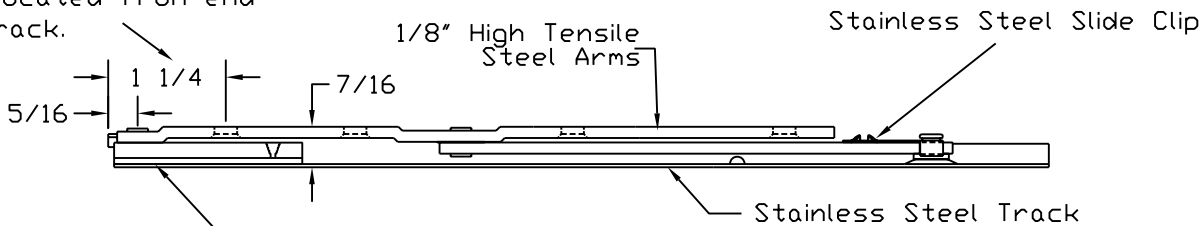


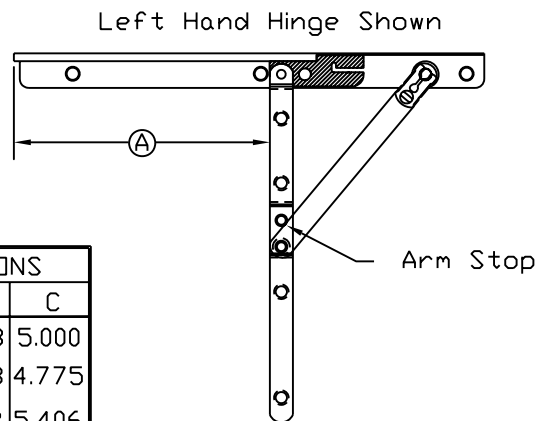
10" AWNING HINGE



NOTE:
Sash arm screw holes are located from end of track.



All Steel parts are Zinc Dichromate plated, and Powder painted with Polyester Urethane.



STYLE DESCRIPTION	ASSEMBLED UNITS	NON-ASSEMBLED			DIMENSIONS		
		ARMS	TRACK		A	B	C
STANDARD	3366D L/R	3066D L/R	3305 L/R		4.869	3.438	5.000
WASHABILITY	3386D L/R	3086D L/R	3305 L/R		5.437	3.663	4.775
EGRESS	3396D L/R	3096D L/R	3305 L/R		4.025	3.032	5.406

ALL METAL STAMPING, INC.

411 W. Spruce St. PO Box 485 Abbotsford, WI 54405

Phone (715) 223-6324
Fax (715) 223-3352