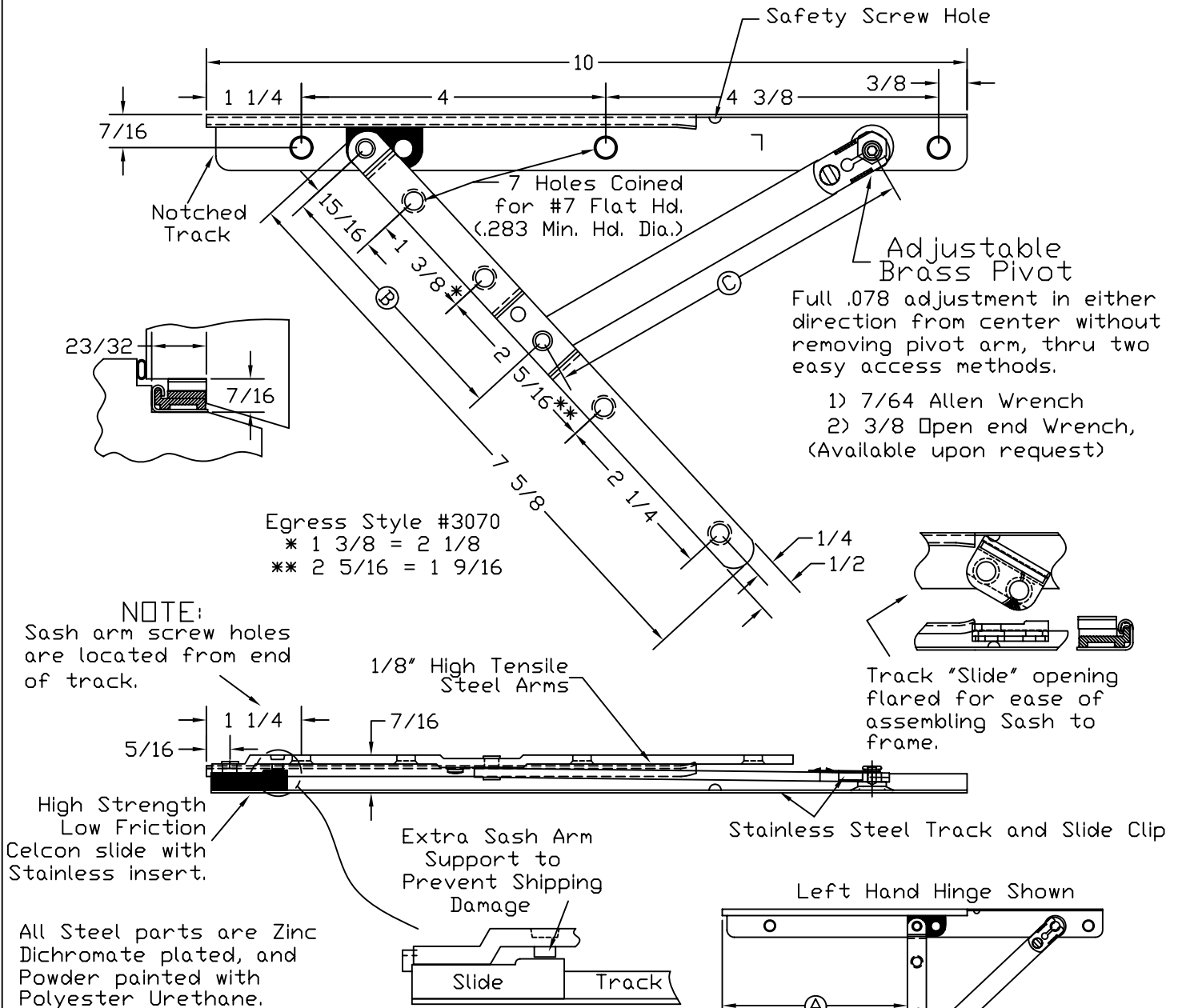


3800 SERIES

ADJUSTABLE 10" CONCEALED CASEMENT HINGE



STYLE DESCRIPTION	ASSEMBLED		NON-ASSEMBLED		DIMENSIONS			DEGREE OF OPENING		
	UNITS		ARMS	TRACK	A	B	C			
STANDARD	3860D	L/R	3060D	L/R	3800	L/R	4.869	3.438	5.000	97°
STANDARD	3862D	L/R	3062D	L/R	3800	L/R	4.869	3.438	5.000	94°
EGRESS	3870D	L/R	3070D	L/R	3800	L/R	2.295	1.938	6.500	N/A
EGRESS	3876D	L/R	3071D	L/R	3800	L/R	1.067	1.000	7.500	N/A
WASHABILITY	3880D	L/R	3080D	L/R	3800	L/R	5.437	3.663	4.775	90°
EGRESS	3890D	L/R	3090D	L/R	3800	L/R	4.025	3.032	5.406	N/A

E			
D			
C			
B			
A	Added 3890D/3876D Egress	8/22/01	
No.	REVISION	Date	Apprv.

ALL METAL STAMPING, INC.

411 W. Spruce St. PO Box 485 Abbotsford, WI 54405

Phone (715) 223-6324
Fax (715) 223-3352