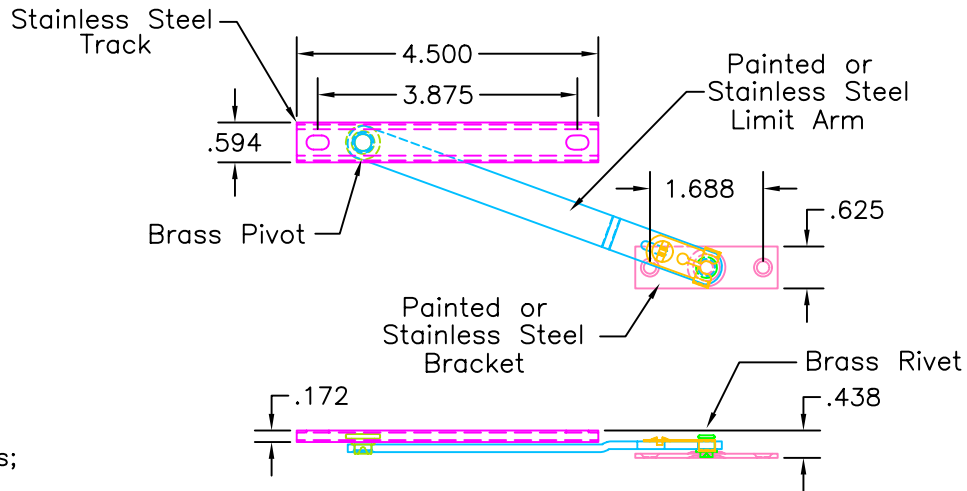


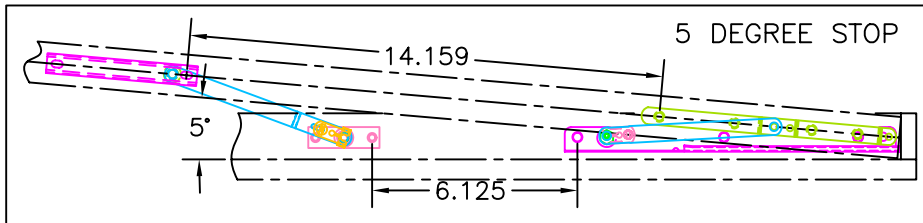
LIMIT DEVICE



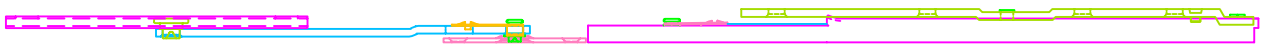
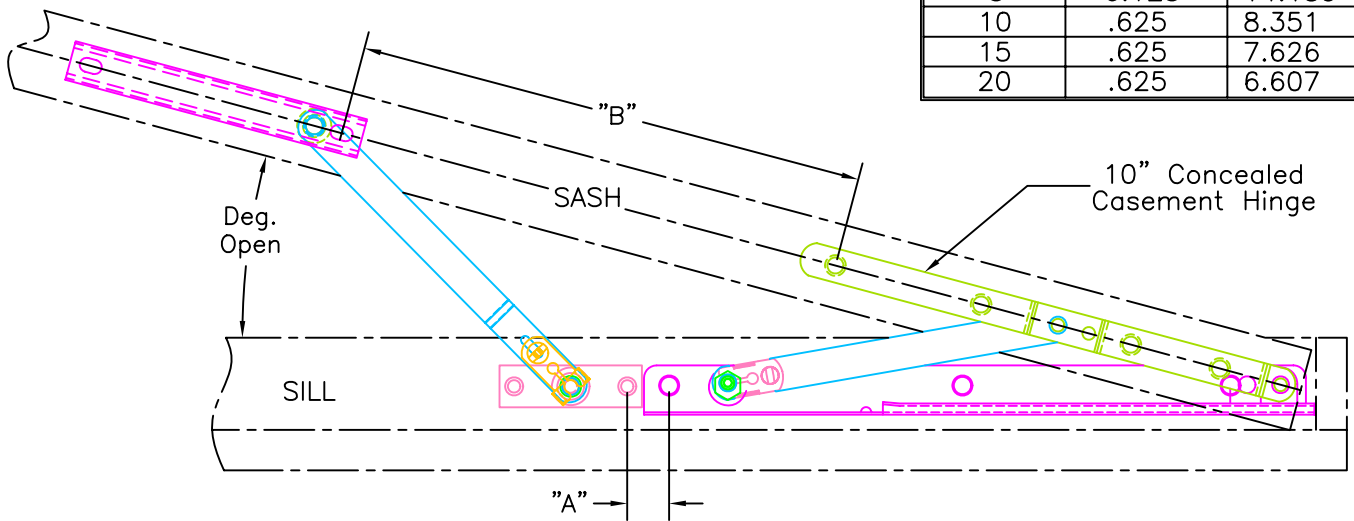
Recommended screws;
(not included)

- #7 Phillips flat head wood screw (Bracket)
- #10 Phillips round head wood screw (Track)

APPLICATION OF LIMIT DEVICE



DEGREES OPENING	DIMENSION "A"	DIMENSION "B"
5	6.125	14.159
10	.625	8.351
15	.625	7.626
20	.625	6.607



ALL METAL STAMPING, INC.

411 W. Spruce St. PO Box 485 Abbotsford, WI 54405

Phone (715) 223-6324
Fax (715) 223-3352